

# Díly

# 333281A

CZ

## 695 / 795 / 1095 / Mark IV / Mark V / Mark VII / Mark X Elektrická stříkací zařízení Airless



*Pro přenosné zařízení na stříkání stavebních nátěrů a barev.  
Jen pro profesionální použití. Není schváleno pro použití v evropských lokalitách  
s nebezpečím výbuchu.*

3300 psi (227 bar, 22.7 MPa) Maximální pracovní tlak



### Důležité bezpečnostní instrukce

Čtěte výstrahy a instrukce v této příručce

Uschovejte tyto instrukce

### Vztahující se příručky:



332916



309495

308491

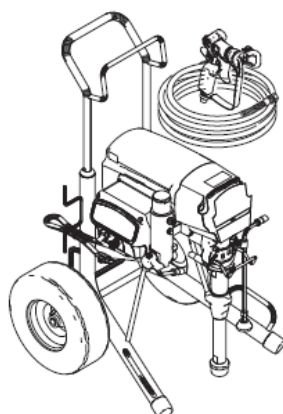
311861

311254

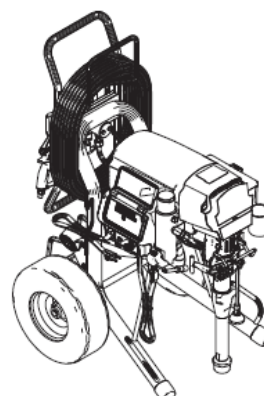


333028

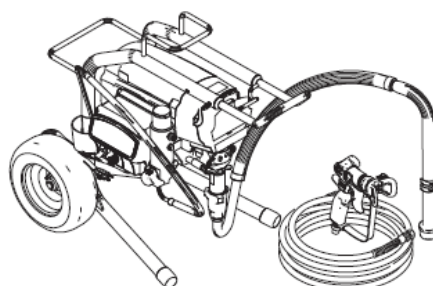
332922



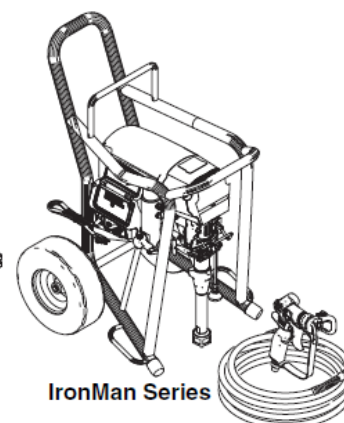
Standard Hi-Boy Series



ProContractor Series



Standard Lo-Boy Series



IronMan Series

ti22882a



PROVĚŘENÁ KVALITA, VEDOUcí TECHNOLOGIE

Revize A: Media CZ, s.r.o., 10/2014

Platnost revize A: duben 2014

**PRODEJ, MONTÁŽ, SERVIS**

Media CZ s.r.o., Ruprechtická 95, 460 01 Liberec 1

Tel: 482 751 579, 482 751 667, FAX: 482 750 022, E-mail: [media@mediacz.cz](mailto:media@mediacz.cz)

Modely

# Modely

695 Ultra Max, Standard, ProContractor, IronMan Models					
Model	Voltage	Standard Hi-Boy	Standard Lo-Boy	ProContractor	IronMan
16X656	230	X			
16X657	230	X			
16X658	120	X			
16X659	120	X			
16X660	230	X			
16X811	120		X		
16X812	230		X		
16Y635	230			X	
16Y637	230			X	
16Y638	120			X	
16Y639	230			X	

795 Ultra Max, Standard, ProContractor, IronMan Models					
Model	Voltage	Standard Hi-Boy	Standard Lo-Boy	ProContractor	IronMan
16X813	230		X		
16X870	230	X			
16X871	230	X			
16X872	120	X			
16X873	230	X			
16Y895	230			X	
16Y896	230			X	
16Y897	230			X	
16Y898	120			X	
16Y899	120			X	

1095 Ultra Max, Standard, ProContractor, IronMan Models					
Model	Voltage	Standard Hi-Boy	Standard Lo-Boy	ProContractor	IronMan
16X874	230	X			
16X875	230	X			
16X881	230	X			
16X882	120	X			
16Y829	230			X	
16Y830	230			X	
16Y831	120			X	
16Y832	230			X	
16Y833	120			X	
16Y869	230				X
16Y871	230				X

Mark IV/Mark V/Mark VII/Mark X Standard, ProContractor, IronMan Models												
Model #	Model	Voltage	Standard Hi-Boy	Pro-Contractor	IronMan	Flex Plus Gun	Blue Texture Gun	HD Inline Texture Gun	3/8in x 50ft + 1/4in x 3ft whip (9.5mm x 15m + 6.4mm x 0.9m whip)	3/8in x 100ft + 1/4in x 3ft whip (9.5mm x 30m + 6.4mm x 0.9m whip)	1/2in x 50ft + 3/8in x 12ft whip (12.7mm x 15m + 9.5mm x 3.7m whip)	1/2in x 100ft + 3/8in x 12ft whip (12.7mm x 30m + 9.5mm x 3.7m whip)
16X953	Mark IV	230	X			X			X			
16X954	Mark IV	230	X			X			X			
16X956	Mark IV	230	X			X			X			
16Y892	Mark IV	230		X		X				X		
16Y893	Mark IV	230		X		X				X		
16Y894	Mark IV	230		X		X				X		
16X944	Mark V	230	X				X		X			
16X947	Mark V	120			X		X			X		
16X965	Mark V	230	X				X		X			
16X966	Mark V	120	X				X		X			
16X967	Mark V	230	X				X		X			
16Y864	Mark V	230		X			X			X		
16Y865	Mark V	230		X			X			X		
16Y866	Mark V	120		X			X			X		
16Y867	Mark V	230		X			X			X		
16Y868	Mark V	120		X			X			X		
16Y872	Mark V	230			X		X			X		
16X948	Mark V	230			X		X			X		
16Y874	Mark V	230			X		X			X		
16Y763	Mark VII	230	X					X			X	
16Y919	Mark VII	230	X					X			X	
16Y920	Mark VII	230		X				X				X
16Y921	Mark VII	230		X				X				X

## Obsah

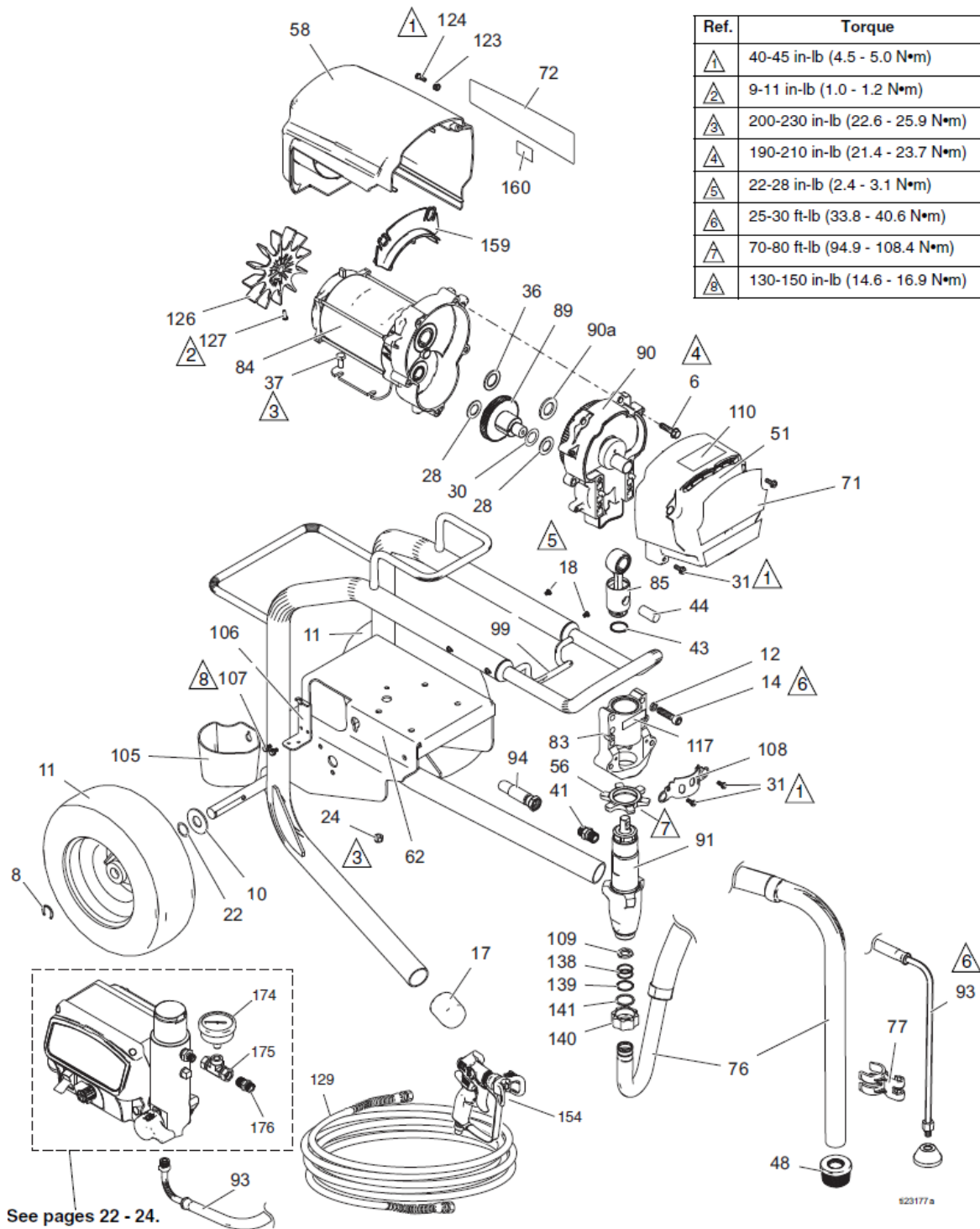
<b>Modely</b> .....	<b>2</b>	<b>1095/MARK V/Mark VII ProContractor</b> .....	<b>16</b>
<b>Obsah</b> .....	<b>4</b>	1095/MARK V/Mark	
<b>Poznámky</b> .....	<b>5</b>	VII ProContractor Parts List .....	17
<b>695/795 Lo-Boy Standard</b> .....	<b>6</b>	<b>Mark X ProContractor</b> .....	<b>18</b>
695/795 Lo-Boy Standard Seznam dílů .....	7	Mark X ProContractor .....	19
<b>695/795/Mark IV Hi-Boy Standard</b> .....	<b>8</b>	<b>1095/Mark V IronMan</b> .....	<b>20</b>
695/795/Mark IV Hi-Boy Standard Sezn. dílů	9	1095/Mark V IronMan .....	21
<b>1095/Mark V/Mark VII Hi-Boy Standard</b> .....	<b>10</b>	<b>Ovládací Box.</b> .....	<b>22</b>
1095/Mark V/Mark VII Hi-Boy Standard	11	Seznam dílů .....	23
<b>Mark X Standard.</b> .....	<b>12</b>	<b>Filtr.</b> .....	<b>24</b>
Mark X Standard Seznam dílů .....	13	Seznam dílů .....	24
<b>695/795/MARK IV ProContractor.</b> .....	<b>14</b>	<b>Naviják hadice a pistole</b> .....	<b>25</b>
695/795/MARK IV ProContractor Sezn. dílů	15	Parts List .....	25
		<b>Standardní záruka Graco</b> .....	<b>26</b>



# 695/795 Lo-Boy Standard

## Kroutící momenty

Ref.	Torque
1	40-45 in-lb (4.5 - 5.0 N•m)
2	9-11 in-lb (1.0 - 1.2 N•m)
3	200-230 in-lb (22.6 - 25.9 N•m)
4	190-210 in-lb (21.4 - 23.7 N•m)
5	22-28 in-lb (2.4 - 3.1 N•m)
6	25-30 ft-lb (33.8 - 40.6 N•m)
7	70-80 ft-lb (94.9 - 108.4 N•m)
8	130-150 in-lb (14.6 - 16.9 N•m)



See pages 22 - 24.

Viz strany

## 695/795 Lo-Boy Standard Seznam dílů

Ref.	Díl	Popis	Počet	Ref.	Díl	Popis	Počet
6	15C753	SCREW, mach, torx, hex	5	85	241008	ROD, connecting; <i>includes 43</i>	1
8	15E891	CLIP, retaining	2	87	241920	DEFLECTOR, threaded	1
10	156306	WASHER, flat	2	89	287289	GEAR, combination; <i>includes 28, 30</i>	1
11*	119420	WHEEL, pneumatic	2				
12	106115	WASH, lock, spring	4	90	287283	HOUSING, drive, M1; <i>includes 6, 36, 90a</i>	1
14	110141	SCREW, cap, socket hd	4				
17	15C871	CAP, leg	2	90a	107089	WASHER, race, thrust	1
18	109032	SCREW, mach, pnh	4	91	16Y598	PUMP, displacement 695/795	1
22	116038	WASHER, wave spring	2	93	248217	HOSE, drain; <i>includes 87</i>	1
24	111040	NUT, hex, flanged	4	94	16X904	HOSE, coupled, 1/4 x 15.75	1
28	114672	WASHER, thrust	2	99	24A249	HANDLE, cart	1
30	114699	WASHER, thrust	1	105	276975	CUP, drain	1
31	118444	SCREW, machine, hex washer hd	6	106	15F952	BRACKET, drain cup	1
36	116191	WASHER, thrust	1	107	114423	SCREW, mach, hex hd	2
37	100057	SCREW, cap, hex hd	4	108	16X770	SHIELD, pump rod	1
41	196178	FITTING	1	109	115099	WASHER, garden hose	1
43	176817	SPRING, retaining	1	110	16X983	LABEL, standard series	1
44	176818	PIN, str, hdls	1	117	187437	LABEL, torque	1
48	189920	STRAINER, (1-11 1/2 NPSM)	1	123	276980	GROMMET, cover	2
51	24V023	COVER, drive, plastic, painted; <i>includes 31</i>	1	124	119250	SCREW, shoulder, hex washer	2
56	192723	NUT, retaining	1	126	15D088	FAN, motor	1
58	287281	695 SHIELD, motor, painted; <i>includes 123, 124</i>	1	127	115477	SCREW, mach, torx, pan hd	1
62	24P665	FRAME, cart	1	128▲	222385	TAG, WARNING (not shown)	1
71		LABEL	1	129	240794	HOSE, cpld, 1/4 in. x 50 ft	1
	16X364	695		138	117559	O-RING	2
	16X367	795		139	118505	RING, retaining, external	1
72		LABEL	1	140	15C980	NUT, jam	1
	16X365	695		141	15C981	WASHER, suction swivel	1
	16X366	795		154	288420	GUN, contractor	1
76	248216	HOSE, suction; <i>includes 109, 138, 139, 140, 141</i>	1	159	278075	BAFFLE	1
77	15D000	CLIP, drain line	1	160	15Y118	LABEL, Made in USA	1
83	24V026	HOUSING, bearing; <i>includes 12, 14, 31, 108, 117</i>	1	174	115523	GAUGE, pressure	1
84	257185	MOTOR, electric; <i>includes 126, 127</i>	1	175	119783	FITTING, tee swivel	1
				176	162453	FITTING	1

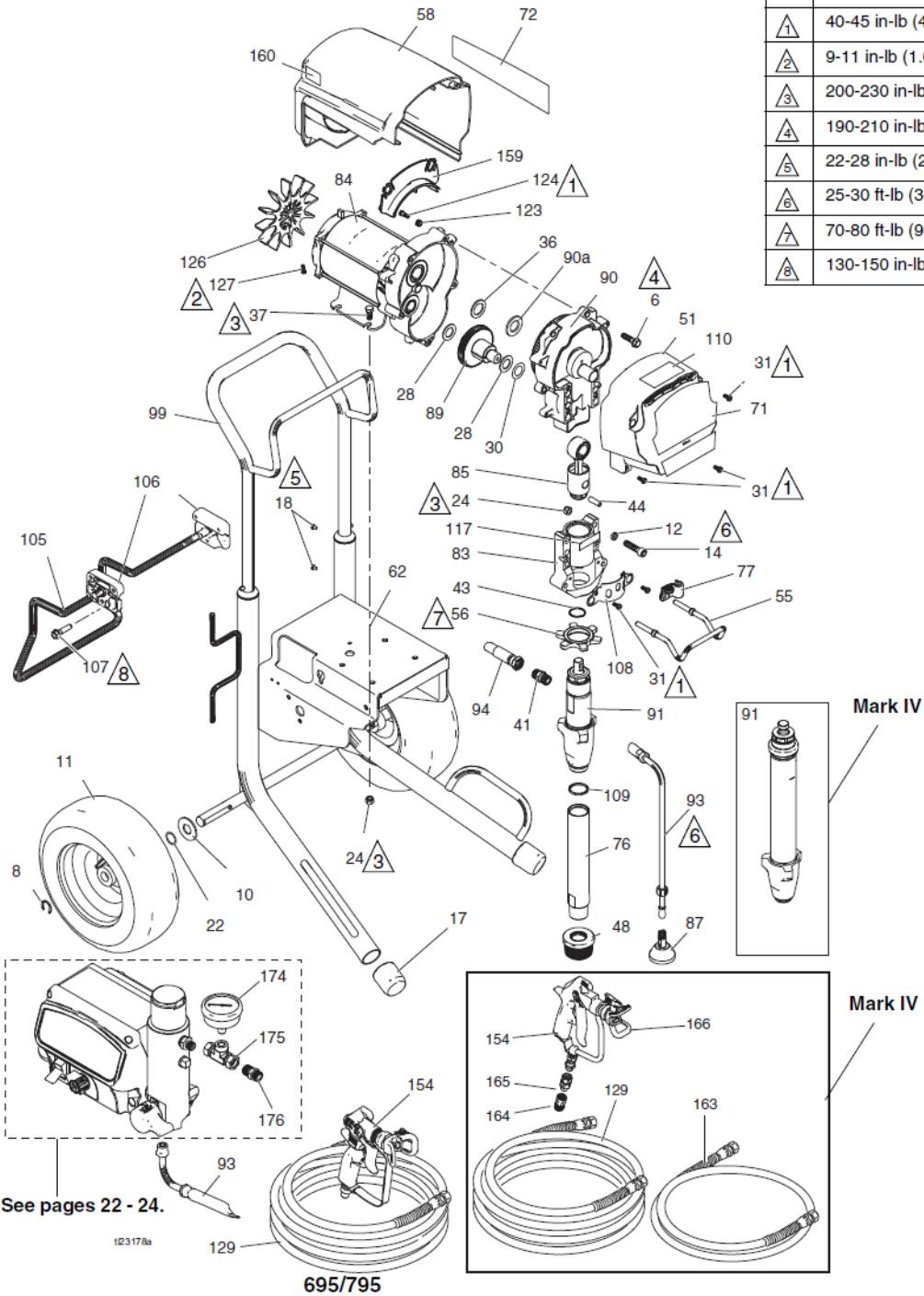
\* 253132 SADA, opravářská, trubice 11 in.

▲ Upozorňující a výstražné štítky a označení jsou k dostání zdarma

# 695/795/Mark IV Hi-Boy Standard

## Krouticí momenty

Ref.	Torque
1	40-45 in-lb (4.5 - 5.0 N•m)
2	9-11 in-lb (1.0 - 1.2 N•m)
3	200-230 in-lb (22.6 - 25.9 N•m)
4	190-210 in-lb (21.4 - 23.7 N•m)
5	22-28 in-lb (2.4 - 3.1 N•m)
6	25-30 ft-lb (33.8 - 40.6 N•m)
7	70-80 ft-lb (94.9 - 108.4 N•m)
8	130-150 in-lb (14.6 - 16.9 N•m)




viz strany



## 695/795/Mark IV Hi-Boy Standard Seznam dílů

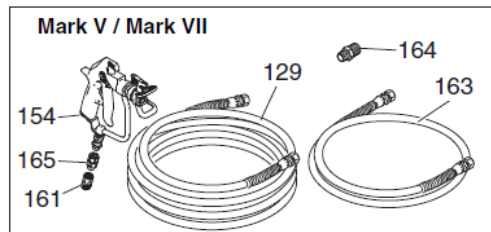
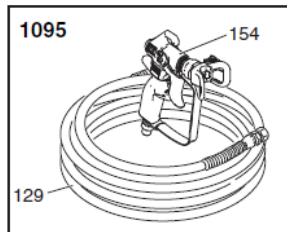
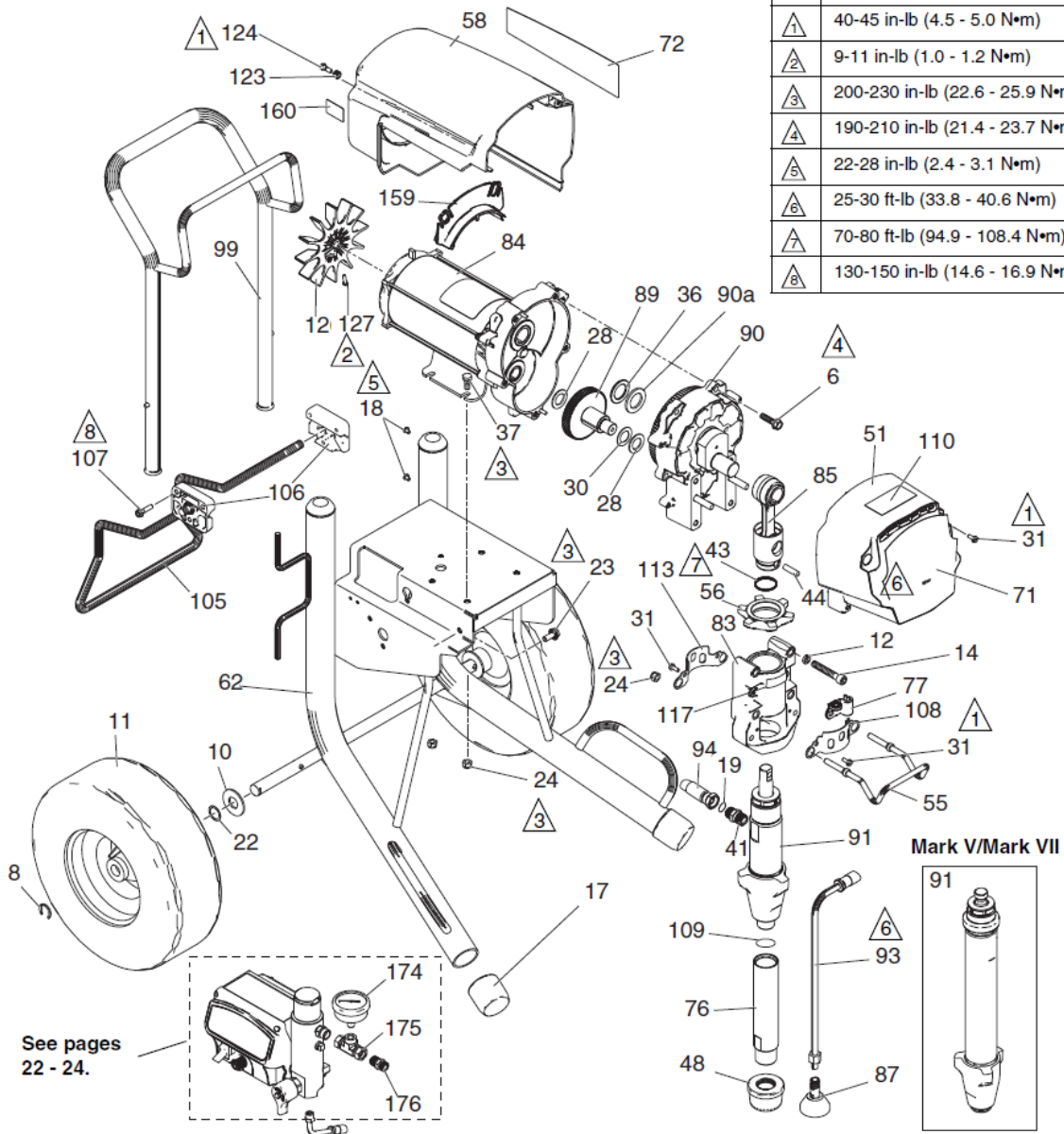
Ref.	Díl	Popis	Počet	Ref.	Díl	Popis	Počet
------	-----	-------	-------	------	-----	-------	-------

							
<p>* 253132 SADA, opravářská, trubice</p> <p>▲ Upozorňující a výstražné štítky a označení jsou k dostání zdarma</p>							

# 1095/Mark V/Mark VII Hi-Boy Standard

## Krouticí momenty

Ref.	Torque
1	40-45 in-lb (4.5 - 5.0 N•m)
2	9-11 in-lb (1.0 - 1.2 N•m)
3	200-230 in-lb (22.6 - 25.9 N•m)
4	190-210 in-lb (21.4 - 23.7 N•m)
5	22-28 in-lb (2.4 - 3.1 N•m)
6	25-30 ft-lb (33.8 - 40.6 N•m)
7	70-80 ft-lb (94.9 - 108.4 N•m)
8	130-150 in-lb (14.6 - 16.9 N•m)



ti23223b

Viz strany

## 1095/Mark V/Mark VII Hi-Boy Standard

Ref.	Díl	Popis	Počet	Ref.	Díl	Popis	Počet
6	15C753	SCREW, mach, torx, hex	5	287295		1095/Mark V	
8	15E891	CLIP, retaining	2	90a	194173	WASHER, race, thrust	1
10	156306	WASHER, flat	2	91		PUMP, displacement;	1
11*	119509	WHEEL, pneumatic	2			<i>includes 41, 76, 109</i>	
12	106115	WASH, lock, spring	4	16Y706		1095	
14	114666	SCREW, cap, socket hd	4	16Y601		Mark VII	
17	276974	CAP, leg	2	16X429		Mark V	
18	108795	SCREW, mach, pnh	4	93	244240	HOSE, drain; <i>includes 87</i>	1
19	102982	PACKING, o-ring (Mark V/Mark VII)	1	94		HOSE, coupled	1
22	116038	WASHER, wave spring	2	16X904		1095	
23	117791	SCREW, cap, flng hd	2	24V029		Mark V/Mark VII; <i>includes 19</i>	
24	111040	NUT, hex, flanged	6	99	24A250	HANDLE, cart	1
28	114672	WASHER, thrust	2	105	16X696	HANGER, stand, cart	1
30	114699	WASHER, thrust	1	106	15C982	CAM, cart	2
31	118444	SCREW, machine, hex washer hd	8	107	114531	SCREW, mach, hex washer	4
36	116192	WASHER, thrust	1	108	16X770	PUMP, shield rod	1
37	100057	SCREW, cap, hex hd	4	109	118494	PACKING, o-ring	1
41		FITTING, pump, quick disc	1	110	16X983	LABEL, Ultra Premium, sides	1
	196178	1095		113	15C762	SHIELD, pump rod	1
	16X834	Mark V/Mark VII		117	187437	LABEL, torque	1
43	119778	SPRING, retaining	1	123	276980	GROMMET, cover	2
44	183210	PIN, pump	1	124	119250	SCREW, shoulder, hex, washer	3
48	189920	STRAINER, (1-11 1/2 NPSM)	1	126	15D088	FAN, motor	1
51	24V024	COVER, drive, plastic, painted;	1	127	115477	SCREW, mach, torx, pan, hd	1
		<i>includes 31</i>		128▲	222385	TAG, WARNING (not shown)	1
55	16C457	HANGER, pail	1	129		HOSE, cpld	1
56	193031	NUT, retaining	1		240794	Ultra 1095	
58	287282	SHIELD, motor, painted;	1		278499	Mark VII	
		<i>includes 123, 124</i>			240797	Mark V	
62	24P667	FRAME, cart 1095	1	154		GUN, contractor 1095	1
71		LABEL, UltraMax	1		288420	1095	
	16X368	1095			245820	Mark VII	
	16Y960	Mark VII			289605	Mark V	
	16X360	Mark V		159	278075	BAFFLE	1
72		LABEL, UltraMax II	1	160	15Y118	LABEL, Made in USA	1
	16X369	1095		161	159841	FITTING, Mark VII	1
	16Y961	Mark VII		163		HOSE, whip	1
	16X361	Mark V			191239	Mark VII	
76	248215	TUBE, intake; <i>includes 109</i>	1		241735	Mark V	
77	278204	CLIP, drain line	1	164		FITTING, hose	1
83	24V027	HOUSING, bearing; <i>includes 12,</i>	1		159239	Mark VII	
		<i>14, 24, 31, 55, 77, 108, 113, 117</i>			159841	Mark V	
84		MOTOR, electric;	1	165	189018	SWIVEL, assembly	1
		<i>includes 126, 127</i>		174	115523	GAUGE, pressure	1
	257187	1095/Mark V		175		FITTING, tee	
	257188	Mark VII/UK Mark V			119783	1095	
85	24V021	ROD, connecting; <i>includes 43, 44</i>	1		127518	Mark V/Mark VII	
87	241920	DEFLECTOR, threaded	1	176		FITTING	1
89	287290	GEAR, combination;	1		162453	1095	
		<i>includes 28, 30</i>			183285	Mark VII	
90		HOUSING, drive, M1;	1		196178	Mark V	
		<i>includes 6, 36, 90a</i>					
	24M417	Mark VII					

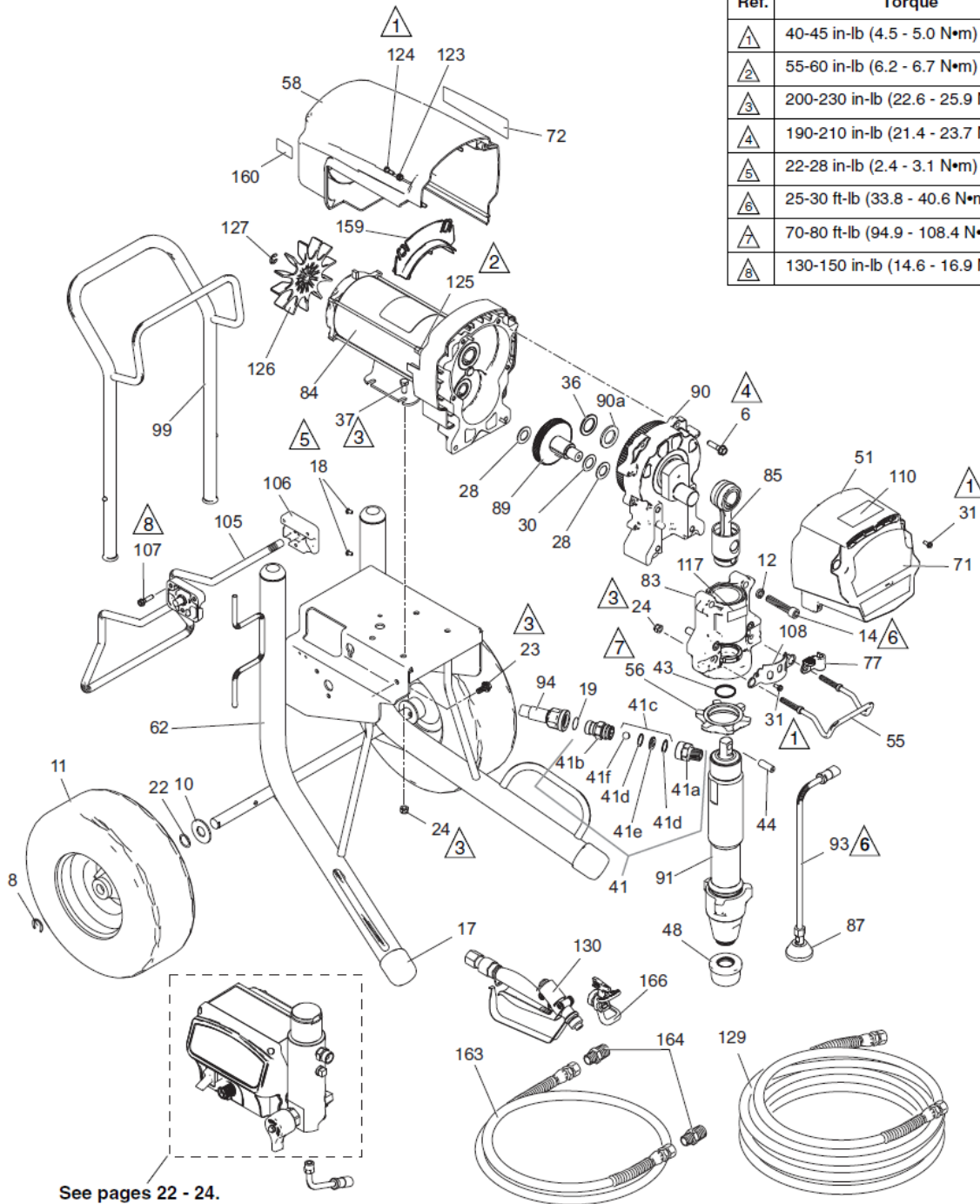
\* 253131 SADA, opravářská, trubice

▲ Upozorňující a výstražné štítky a označení jsou k dostání zdarma

# Mark X Standard

## Krouticí momenty

Ref.	Torque
1	40-45 in-lb (4.5 - 5.0 N•m)
2	55-60 in-lb (6.2 - 6.7 N•m)
3	200-230 in-lb (22.6 - 25.9 N•m)
4	190-210 in-lb (21.4 - 23.7 N•m)
5	22-28 in-lb (2.4 - 3.1 N•m)
6	25-30 ft-lb (33.8 - 40.6 N•m)
7	70-80 ft-lb (94.9 - 108.4 N•m)
8	130-150 in-lb (14.6 - 16.9 N•m)



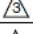
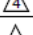
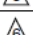
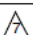

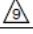






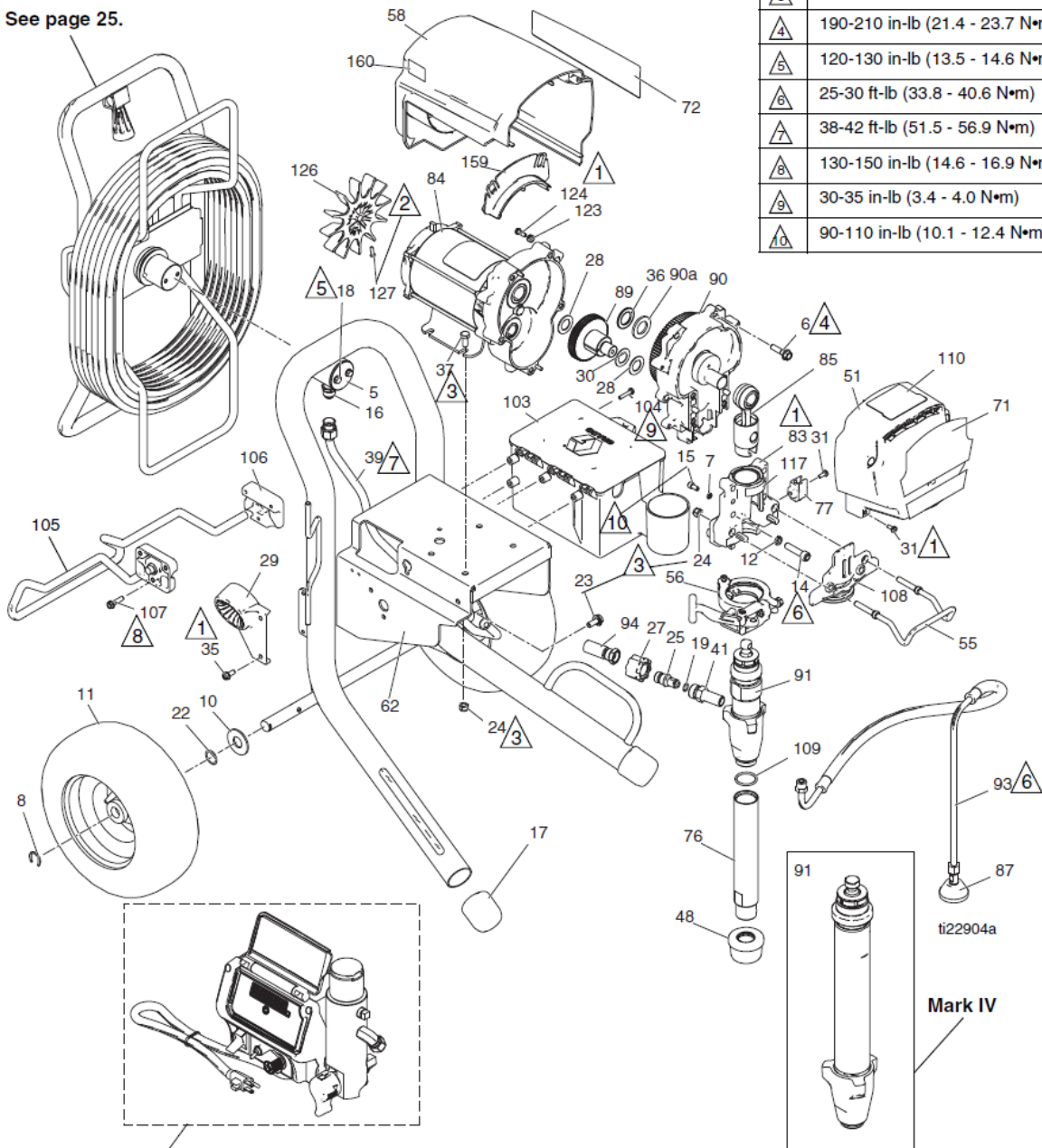


# 695/795/MARK IV ProContractor

## Krouticí momenty

Ref.	Torque
	40-45 in-lb (4.5 - 5.0 N•m)
	9-11 in-lb (1.0 - 1.2 N•m)
	200-230 in-lb (22.6 - 25.9 N•m)
	190-210 in-lb (21.4 - 23.7 N•m)
	120-130 in-lb (13.5 - 14.6 N•m)
	25-30 ft-lb (33.8 - 40.6 N•m)
	38-42 ft-lb (51.5 - 56.9 N•m)
	130-150 in-lb (14.6 - 16.9 N•m)
	30-35 in-lb (3.4 - 4.0 N•m)
	90-110 in-lb (10.1 - 12.4 N•m)

See page 25.



See pages 22 - 24.

Viz strany

## 695/795/MARK IV ProContractor Seznam dílů

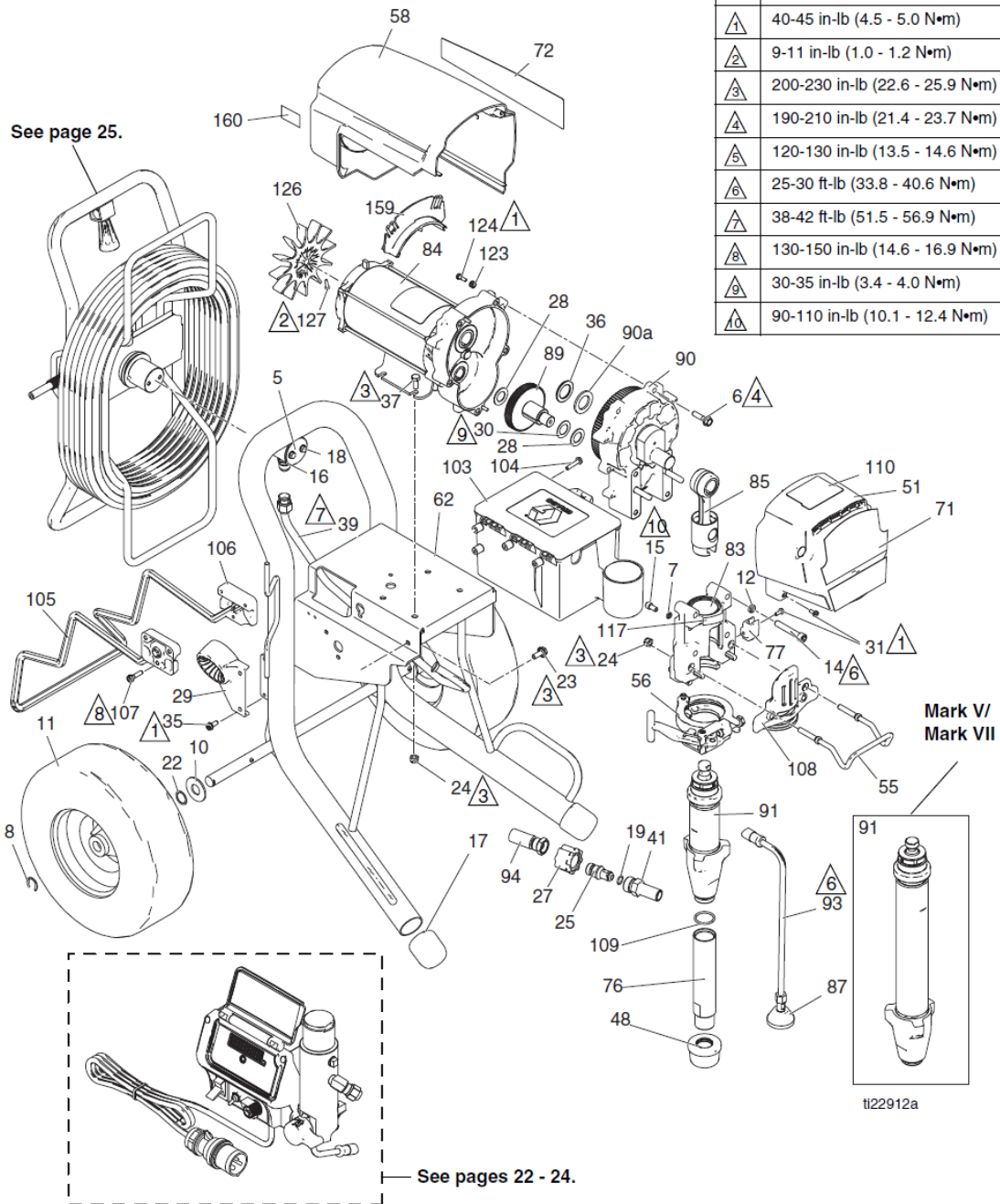
Ref.	Díl	Popis	Počet	Ref.	Díl	Popis	Počet
5	16C975	PLATE, pivot	1	83	24V087	HOUSING, bearing; <i>includes 7, 12,</i>	1
6	15C753	SCREW, mach, hex wash hd	5			<i>14, 15, 24, 31, 55, 56, 77, 108, 117</i>	
7	105510	WASHER, lock, spring	2	84		MOTOR, electric	1
8	15E891	CLIP, retaining	2		257185	695/Mark IV	
10	156306	WASHER, flat	2		257186	795	
11	119420	WHEEL, pneumatic	2	85	24V084	ROD, connecting	1
12	106115	WASHER, lock (hi-collar)	4	87	241920	DEFLECTOR, threaded	1
14	110141	SCREW, cap, sch	4	89	287289	GEAR, combination;	1
15	101550	SCREW, cap, sch	2			<i>includes 28, 30</i>	
16	121311	FITTING, connector	1	90		HOUSING, drive, M1;	1
17	276974	CAP, leg	2			<i>includes 6, 36, 90a</i>	
18	260212	SCREW, hex washer hd	2		24V032	695/Mark IV	
19		PACKING, o-ring	1		24V033	795	
	107505	695/795		90a	107089	WASHER, race, thrust	1
	102982	Mark IV		91	16X414	PUMP, displacement, 695/795;	1
22	116038	WASHER, wave spring	2			<i>includes 41, 109</i>	
23	117791	SCREW, cap tri lobe	2		16X418	PUMP, displacement, Mark IV	
24	111040	NUT, lock, nylon, thin pattern	6	93	244240	HOSE, drain, ultra hi-boy;	1
25	16X833	FITTING, QD, 695/795	1			<i>includes 87</i>	
27	120583	NUT, hand, 695/795	1	94		HOSE, coupled	1
28	114672	WASHER, thrust	2		16X904	695/795	
29	278083	GUIDE, hose, platinum	1		24V029	Mark IV; <i>includes 19</i>	
30	114699	WASHER, thrust	1	103	287253	TOOL BOX; <i>includes 104</i>	1
31	118444	SCREW, mach, slot hex wash hd	5	104	118852	SCREW, thd forming, hex	3
35	117633	SCREW, slot hex wash hd	2			washer hd	
36	116191	WASHER, thrust, 1095/795	1	105	16X697	HANGER, stand	1
37	100057	SCREW, cap, hex hd	4	106	15C982	CAM, cart	2
39	24V095	TUBE, formed, ultra, platinum	1	107	114531	SCREW, mach, hex washer hd	4
41		FITTING	1	108	16X228	SHIELD, pump rod	1
	16Y579	695/795		109	118494	PACKING, o-ring	1
	16X834	Mark IV		110	16X981	LABEL, ProContractor Series	1
48	189920	STRAINER, (1-11 1/2 npsm)	1	117	187437	LABEL, torque	1
51	24V023	COVER, drive, plastic, painted;	1	123	276980	GROMMET, cover	2
		<i>includes 31</i>		124	119250	SCREW, shoulder	2
55	16C457	HANGER, pail	1	126	15D088	FAN, motor	1
56	16X322	CLAMP, pump	1	127	115477	SCREW, mach, torx pan hd	1
58		SHIELD, motor, painted;	1	128▲	222385	TAG, warning (not shown)	1
		<i>includes 123, 124</i>		159	278075	BRACKET, wire	1
	287281	695/Mark IV		160	15Y118	LABEL, Made in the USA	1
	287282	795					
62	24P668	FRAME, platinum, 695/795	1				
71		LABEL, brand, front	1				
	16X364	695					
	16X367	795					
	16X357	Mark IV					
72		LABEL, brand, side	1				
	16X365	695					
	16X366	795					
	16X354	Mark IV					
76	248214	TUBE, intake; <i>includes 109</i>	1				
77	16X203	CLIP, drain line	1				

▲ *Upozorňující a výstražné štítky a označení jsou k dostání zdarma*

# 1095/MARK V/Mark VII ProContractor

Krouticí momenty

Ref.	Torque
△1	40-45 in-lb (4.5 - 5.0 N•m)
△2	9-11 in-lb (1.0 - 1.2 N•m)
△3	200-230 in-lb (22.6 - 25.9 N•m)
△4	190-210 in-lb (21.4 - 23.7 N•m)
△5	120-130 in-lb (13.5 - 14.6 N•m)
△6	25-30 ft-lb (33.8 - 40.6 N•m)
△7	38-42 ft-lb (51.5 - 56.9 N•m)
△8	130-150 in-lb (14.6 - 16.9 N•m)
△9	30-35 in-lb (3.4 - 4.0 N•m)
△10	90-110 in-lb (10.1 - 12.4 N•m)



Viz strany



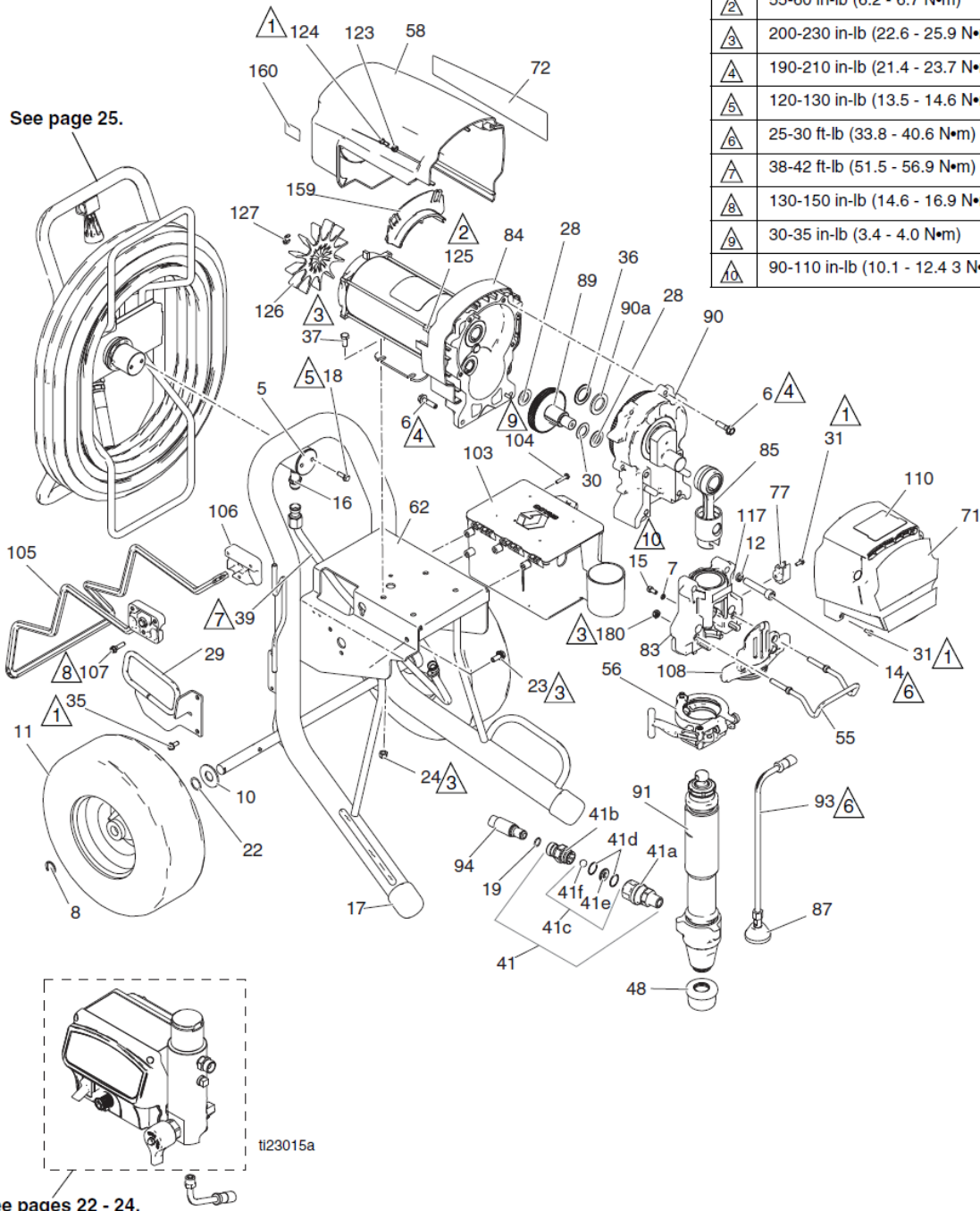
## 1095/MARK V/Mark VII ProContractor Parts List

Ref.	Díl	Popis	Počet	Ref.	Díl	Popis	Počet
5	16C975	PLATE, pivot	1	77	16X203	CLIP, drain line	1
6	15C753	SCREW, mach, hex wash hd	5	83	24V088	HOUSING, bearing; <i>includes 7, 12, 14, 15, 24, 31, 55, 56, 77, 108, 117</i>	1
7	105510	WASHER, lock	2				
8	15E891	CLIP, retaining	2	84		MOTOR, electric; <i>includes 126, 127</i>	1
10	156306	WASHER, flat	2		257187	1095/Mark V	
11	119509	WHEEL, pneumatic	2		257188	Mark VII/UK Mark V	
12	106115	WASHER, lock (hi-collar)	4	85	24V085	ROD, connecting	1
14	114666	SCREW, cap, socket head	4	87	241920	DEFLECTOR, threaded	1
15	101550	SCREW, cap, sch	2	89	287290	GEAR, combination; <i>includes 28, 30</i>	1
16	121311	FITTING, connector	1				
17	276974	CAP, leg	2	90		HOUSING, drive, M1; <i>includes 6, 36, 90a</i>	1
18	260212	SCREW, hex washer hd	2				
19		PACKING, o-ring	1		24M417	Mark VII	
	107505	1095			287295	1095/Mark V	
	102982	Mark V/Mark VII		90a	194173	WASHER, race, thrust	1
22	116038	WASHER, wave spring	2	91		PUMP, displacement; <i>includes 41, 76, 109</i>	1
23	117791	SCREW, cap tri lobe	2				
24	111040	NUT, lock, insert	6		16X419	1095 Models	
25	16X833	FITTING, quick disconnect, (1095 only)	1		16Y602	Mark VII Models	
					16X421	Mark V Models	
27	120583	NUT, hand (1095 only)	1	93	244240	HOSE, drain; <i>includes 87</i>	1
28	114672	WASHER, thrust	2	94		HOSE, coupled	1
29		BRACKET, hose, wrap	1		16X904	1095	
	278083	1095/Mark V			24V029	Mark V/Mark VII; <i>includes 19</i>	
	24M197	Mark VII		103	287253	TOOL BOX; <i>includes 104</i>	1
30	114699	WASHER, thrust	1	104	118852	SCREW, thd forming, hex washer hd	3
31	118444	SCREW, mach, slot hex wash hd	5	105	16X698	HANGER, stand, cart	1
35	117633	SCREW, slot hex wash hd	2	106	15C982	CAM, cart	2
36	116192	WASHER, thrust, 1595	1	107	114531	SCREW, mach, hex washer hd	4
37	100057	SCREW, cap, hex hd	4	108	16X385	PLATE, front, 5900 PCII	
39	24J081	TUBE, formed, ultra, platinum	1	109	118494	PACKING, o-ring	1
41		FITTING, pump, QD	1	110	16X981	LABEL, premium	1
	16Y579	1095		117	187437	LABEL, torque	1
	16X834	Mark V/Mark VII		123	276980	GROMMET, cover	2
48	189920	STRAINER, (1-11 1/2 npsm)	1	124	119250	SCREW, shoulder	3
51	24V024	COVER, drive, plastic, painted; <i>includes 31</i>	1	126	15D088	FAN, motor	1
				127	115477	SCREW, mach, torx pan hd	1
55	16C457	HANGER, pail	1	128▲	222385	TAG, warning (not shown)	
56	16X324	CLAMP, pump, large	1	159	278075	BRACKET, wire	1
58	287282	SHIELD, motor, painted; <i>includes 123, 124</i>	1	160	15Y118	LABEL, Made in the USA	1
62	24P669	FRAME, platinum, 1095/MARK V	1	▲ <i>Upozorňující a výstražné štítky a označení jsou k dostání zdarma</i>			
71		LABEL, brand, front	1				
	16X368	1095					
	16X360	Mark V					
	16Y960	Mark VII					
72		LABEL, brand, side	1				
	16X369	1095					
	16X361	Mark V					
	16Y961	Mark VII					
76	248215	TUBE, intake; <i>includes 109</i>	1				

# Mark X ProContractor

## Krouticí momenty

Ref.	Torque
	40-45 in-lb (4.5 - 5.0 N•m)
	55-60 in-lb (6.2 - 6.7 N•m)
	200-230 in-lb (22.6 - 25.9 N•m)
	190-210 in-lb (21.4 - 23.7 N•m)
	120-130 in-lb (13.5 - 14.6 N•m)
	25-30 ft-lb (33.8 - 40.6 N•m)
	38-42 ft-lb (51.5 - 56.9 N•m)
	130-150 in-lb (14.6 - 16.9 N•m)
	30-35 in-lb (3.4 - 4.0 N•m)
	90-110 in-lb (10.1 - 12.4 N•m)



Viz strany

## Mark X ProContractor

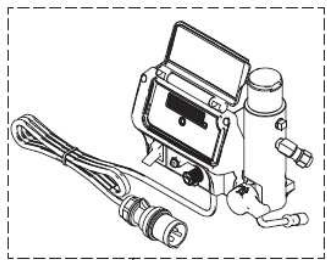
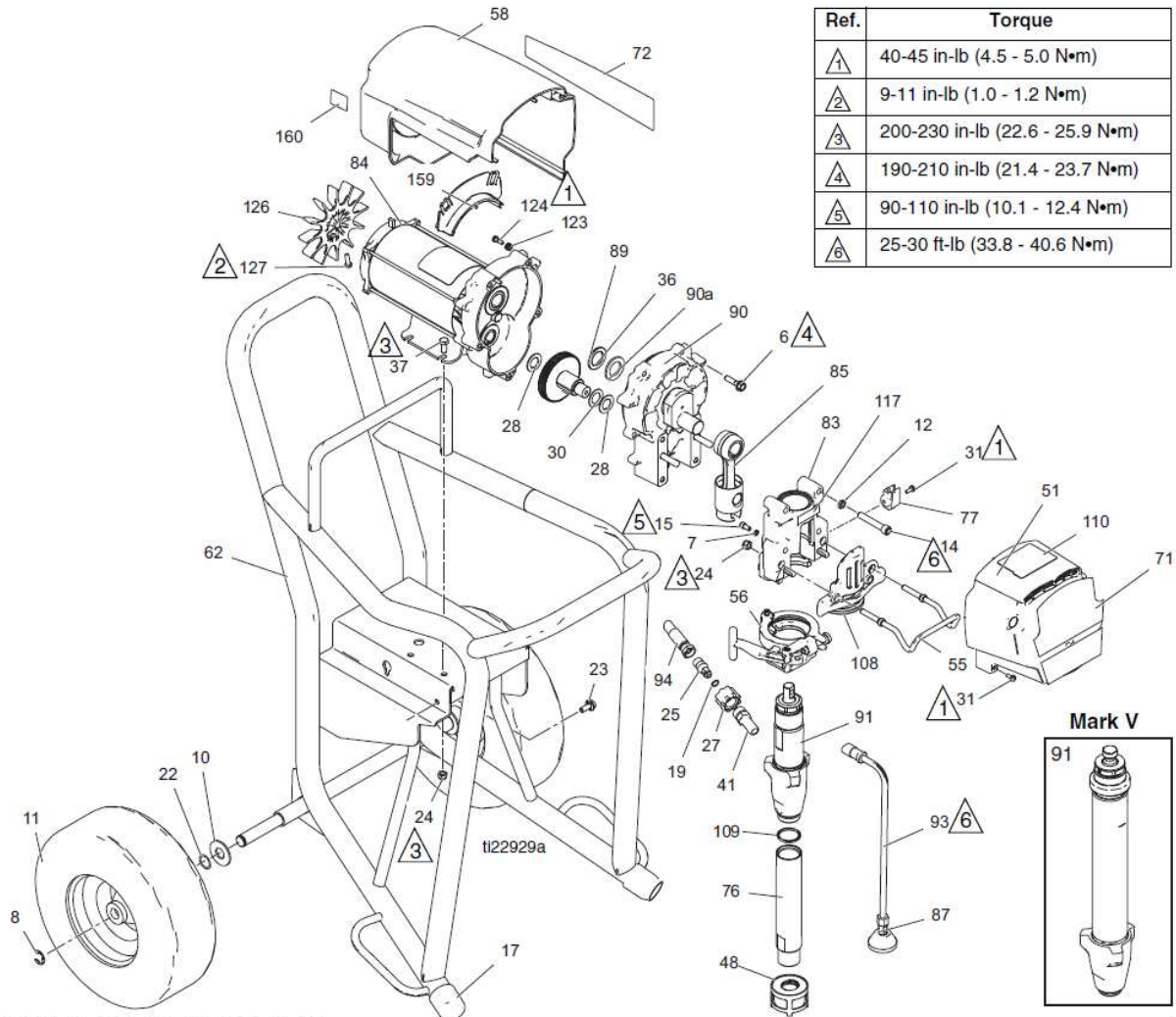
Ref.	Díl	Popis	Počet	Ref.	Díl	Popis	Počet
5	16C975	PLATE, pivot	1	71	16X362	LABEL, front	1
6	15C753	SCREW, mach, hex wash hd	6	72	16X363	LABEL, right side	1
7	105510	WASHER, lock, spring	2	77	16X203	CLIP, drain line	1
8	15E891	CLIP, retaining	2	83	24V089	HOUSING, bearing;	1
10	156306	WASHER, flat	2			<i>includes 7, 12, 14, 15, 31, 55, 56,</i>	
11	119509	WHEEL, pneumatic	2			<i>77, 108, 117, 180</i>	
12	112600	WASHER, lock (hi-collar)	4	84	258909	MOTOR, electric; <i>includes 125,</i>	1
14	112599	SCREW, cap, socket head	4			<i>126, 127</i>	
15	101550	SCREW, cap, sch	2	85	24V086	ROD, connecting	1
16	121311	FITTING, connector	1	87	241920	DEFLECTOR, threaded	1
17	276974	CAP, leg	2	89	288035	GEAR, combination;	1
18	260212	SCREW, hex washer, hd	2			<i>includes 28, 30</i>	
19	102982	O-RING	1	90	287990	HOUSING, drive;	1
22	116038	WASHER, wave spring	2			<i>includes 6, 36, 90a</i>	
23	117791	SCREW, cap, tri lobe	2	90a	194173	WASHER, race, thrust	1
24	111040	NUT, lock, insert	4	91	16X427	PUMP, displacement	1
28	114672	WASHER, thrust	2	93	244240	HOSE, drain; <i>includes 87</i>	1
29	24M197	GUIDE, hose, ultra platinum	1	94	24V029	KIT, hose, cpld, 1/2 in.; <i>includes 19</i>	1
30	114699	WASHER, thrust	1	103	287253	TOOL BOX; <i>includes 104</i>	1
31	118444	SCREW, mach, slot hex wash hd	5	104	118852	SCREW, thd forming, hex washer hd	3
35	117633	SCREW, slot hex wash hd	2	105	16X698	HANGER, stand, cart	1
36	116192	WASHER, thrust, 1595	1	106	15C982	CAM, cart	2
37	100057	SCREW, cap, hex hd	4	107	114531	SCREW, mach, hex washer hd	4
39	16M441	TUBE, formed, ultra, platinum	1	108	16X209	PLATE, front, PCII, 79W	1
41	24U755	FITTING	1	110	16X981	LABEL, ProContractor Series	1
41a	16N461	HOUSING, seat, check valve	1	117	187437	LABEL, torque	1
41b	16X837	HOUSING, ball, check valve	1	123	276980	GROMMET, cover	2
41c	24M725	KIT, repair, check valve;	1	124	119250	SCREW, shoulder	3
		<i>includes 41d, 41e, 41f</i>		125	15G845	SPACER, standoff	2
41d		O-RING	1	126	15V577	FAN, motor	1
41e		SEAT	1	127	122347	RING, retaining	1
41f		BALL	1	128▲	222385	TAG, warning (not shown)	
48	189920	STRAINER, (1-11 1/2 npsm)	1	159	278075	BRACKET, wire	1
51	24V025	COVER, drive, plastic, painted;	1	160	15Y118	LABEL, Made in the USA	1
		<i>includes 31</i>		180	112746	NUT, lock, thin pattern	2
55	16C457	PACKING, o-ring	1				
56	16X324	CLAMP, pump, large	1				
58	287282	SHIELD, motor, painted;	1				
		<i>includes 123, 124</i>					
62	24P669	FRAME, platinum, 1095/MARK V	1				

▲ *Upozorňující a výstražné štítky a označení jsou k dostání zdarma*

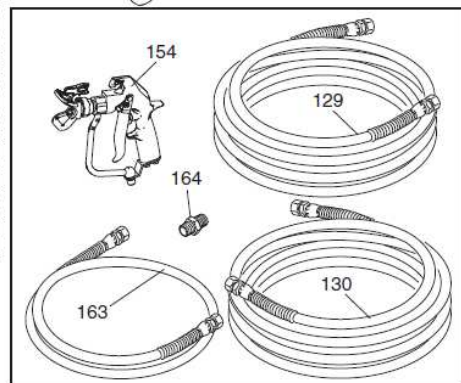
# 1095/Mark V IronMan

## Krouticí momenty

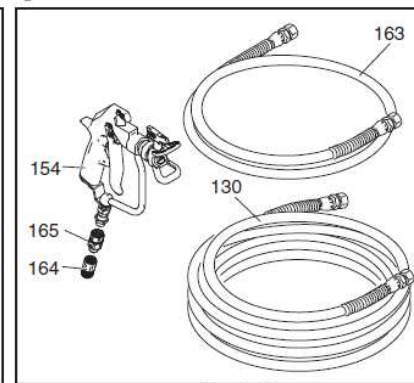
Ref.	Torque
⚠	40-45 in-lb (4.5 - 5.0 N•m)
⚠	9-11 in-lb (1.0 - 1.2 N•m)
⚠	200-230 in-lb (22.6 - 25.9 N•m)
⚠	190-210 in-lb (21.4 - 23.7 N•m)
⚠	90-110 in-lb (10.1 - 12.4 N•m)
⚠	25-30 ft-lb (33.8 - 40.6 N•m)



See pages 22 - 24.



1095



Mark V

Viz strany



## 1095/Mark V IronMan

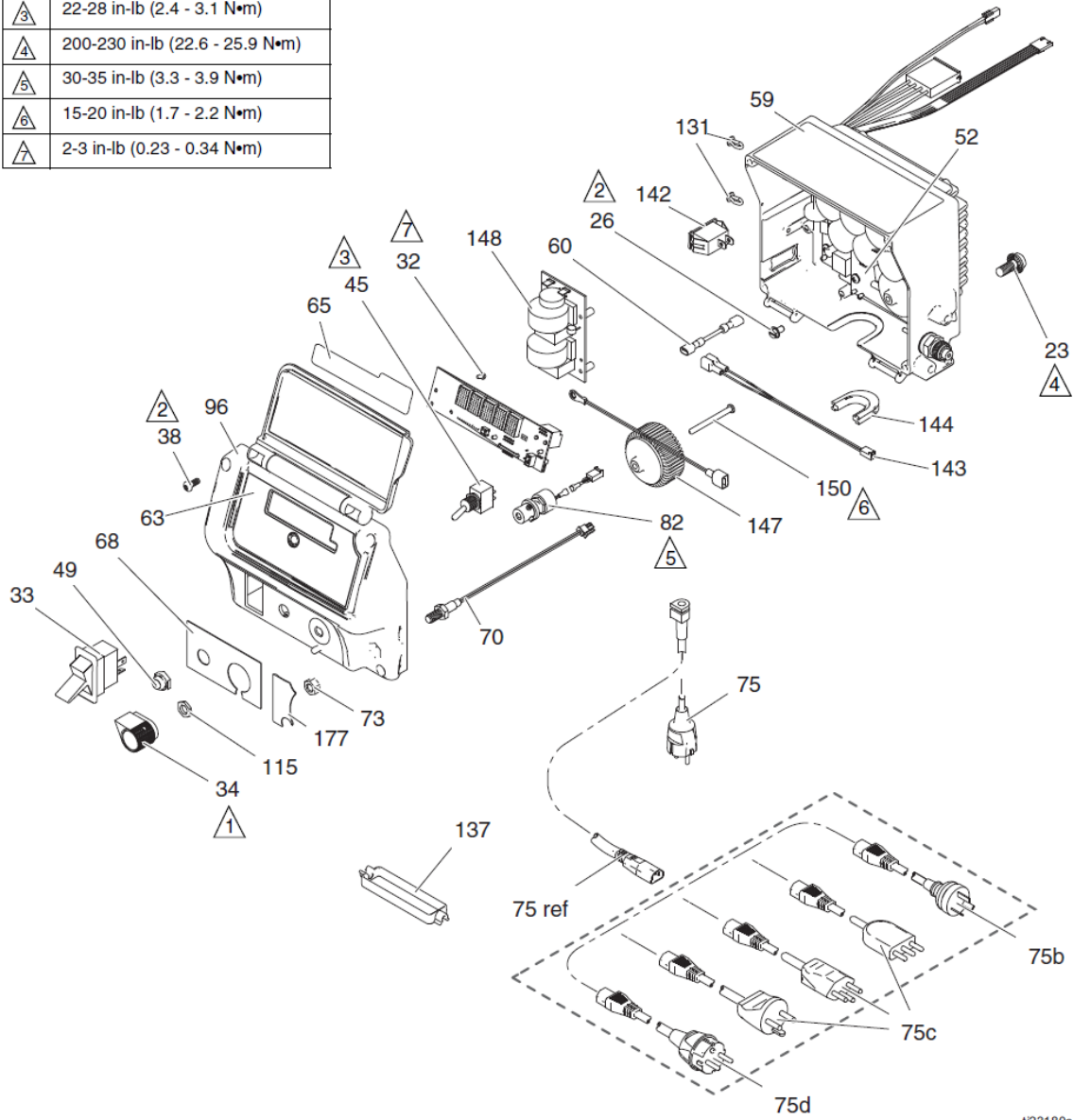
Ref.	Díl	Popis	Počet	Ref.	Díl	Popis	Počet
6	15C753	SCREW, mach, torx, hex	5	89	287290	GEAR, combination;	1
7	105510	WASHER, lock, spring	2			<i>includes 28, 30</i>	
8	120211	CLIP, retaining	2	90	287295	HOUSING, drive, M1;	1
10	156306	WASHER, flat	2			<i>includes 6, 36, 90a</i>	
11	122267	WHEEL, foam	2	90a	194173	WASHER, race, thrust	1
12	106115	WASH, lock, spring	4	91		PUMP, displacement	1
14	114666	SCREW, cap, socket hd	4		16X420	1095; <i>includes 41, 109</i>	
15	101550	SCREW, cap, sch	2		16Y599	Mark V	
17	15C871	CAP, leg	2	93	244240	HOSE, drain; <i>includes 87</i>	1
19		PACKING, o-ring	1	94		HOSE, coupled	1
	107505	1095			16X904	1095	
	102982	Mark V			24V029	Mark V; <i>includes 19</i>	
22	116038	WASHER, wave spring	2	108	16X385	PLATE, front, 5900, PCII	
23	117791	SCREW, cap, flng hd	2	109	118494	PACKING, o-ring	1
24	111040	NUT, lock, insert	6	110	16X982	LABEL, IronMan series	1
25	16X833	FITTING, QD, 3/8 npsm, 1095	1	117	187437	LABEL, torque	1
27	120583	NUT, hand, 1095	6	123	276980	GROMMET, cover	2
28	114672	WASHER, thrust	2	124	119250	SCREW, shoulder, hex, washer	3
30	114699	WASHER, thrust	1	126	15D088	FAN, motor	1
31	118444	SCREW, machine, hex washer hd	5	127	115477	SCREW, mach, torx, pan, hd	1
36	116192	WASHER, thrust	1	128▲	222385	TAG, WARNING (not shown)	1
37	100057	SCREW, cap, hex hd	4	129	240794	HOSE, cpld, 1/4 in. x 50 ft, 1095	1
41		FITTING, pump, QD	1	130		HOSE, cpld, 3/8 in. x 50 ft	
	16Y579	1095			240797	1095	1
	16X834	Mark V			240797	Mark V	2
48	15V573	STRAINER, (1-11 1/2 NPSM)	1	154		GUN	1
51	24V024	COVER, drive, plastic, painted;	1		246240	1095	
		<i>includes 31</i>			241705	Mark V	
55	16C457	HANGER, pail	1	159	278075	BRACKET, wire	
56	16X324	CLAMP, pump, large	1	160	15Y118	LABEL, Made in USA	1
58	287282	SHIELD, motor, painted;	1	163		HOSE, whip	1
		<i>includes 123, 124</i>			277322	1095	
62	16X711	FRAME, cart, 1095	1		241735	Mark V	
71		LABEL, UltraMax	1	164		FITTING	1
	16X368	1095			164672	1095	
	16X360	Mark V			159841	Mark V	
72		LABEL, UltraMax II	1	165	189018	SWIVEL, assembly	1
	16X369	1095					
	16X361	Mark V					
76	248215	TUBE, intake; <i>includes 109</i>	1				
77	16X203	CLIP, drain line	1				
83	24V088	HOUSING, bearing; <i>includes 7, 12,</i>	1				
		<i>14, 15, 24, 31, 55, 56, 77, 108, 117</i>					
84	257187	MOTOR, electric; <i>includes 126, 127</i>	1				
85	24V085	ROD, connecting	1				
87	241920	DEFLECTOR, threaded	1				

▲ *Upozorňující a výstražné štítky a označení jsou k dostání zdarma*

# Ovládací box

Krouticí momenty

Ref.	Torque
△1	10-15 in-lb (1.1 - 1.7 N•m)
△2	40-45 in-lb (4.5 - 5.0 N•m)
△3	22-28 in-lb (2.4 - 3.1 N•m)
△4	200-230 in-lb (22.6 - 25.9 N•m)
△5	30-35 in-lb (3.3 - 3.9 N•m)
△6	15-20 in-lb (1.7 - 2.2 N•m)
△7	2-3 in-lb (0.23 - 0.34 N•m)



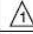
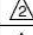
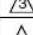
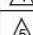
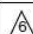


## Seznam dílů

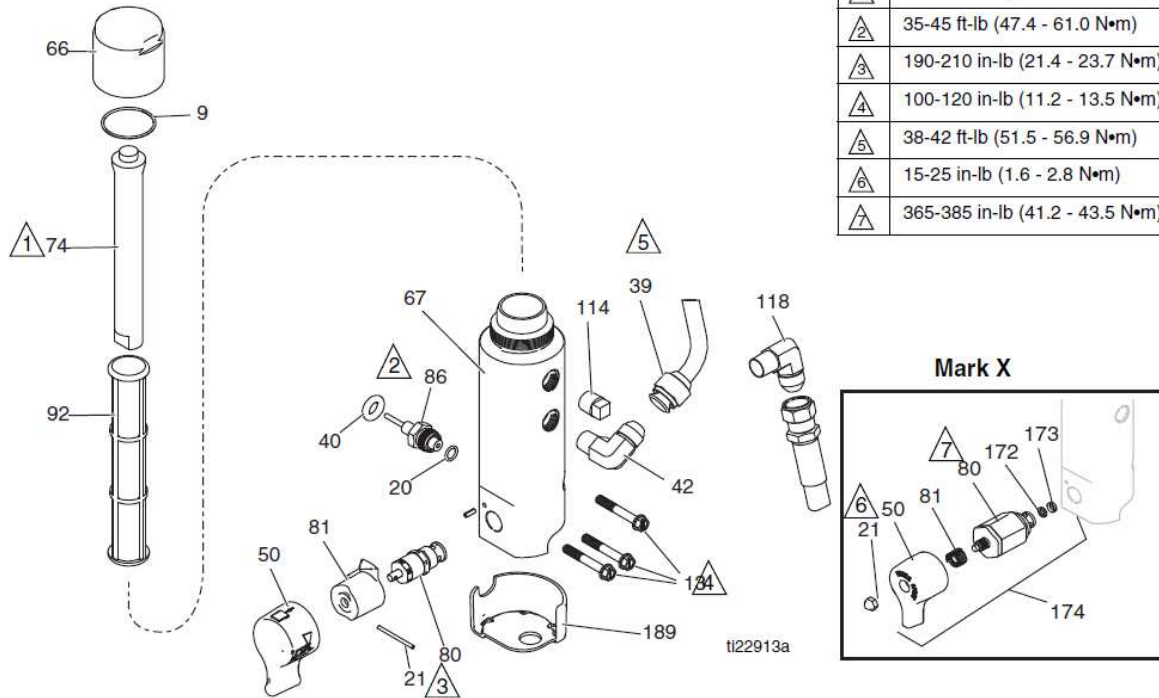
Ref.	Díl	Popis	Počet	Ref.	Díl	Popis	Počet	
23	117791	SCREW, cap, flange head	2		15G938	Mark X Multicord		
26	114391	SCREW, grounding	1	75b		China/Australia	1	
32	115522	SCREW, mach, pnh (ProContractor/IronMan series)	3		242005	695/795/1095/Mark IV/Mark V		
33	15C979	SWITCH, rocker, 120V	1	75c	17A242	Mark X Italy/Denmark/Switzerland	1	
	15D527	SWITCH, rocker, 230V	1		287121	695/795/1095/Mark IV/Mark V		
34	116167	KNOB, potentiometer	1		253103	Mark VII/Mark X Models		
38	16V095	SCREW, #10, taptite phil	4	75d	242001	EU CEE 7/7	1	
45	119541	SWITCH, toggle, (ProContractor/IronMan series)	1	75e	244285	Japan	1	
49	195428	BOOT, toggle (ProContractor/IronMan series)	1	82	256219	POTENTIOMETR, assembly	1	
52		CONTROL, board; <i>includes 23, 26, 60, 131, 142, 144, box not sold separately</i>	1	96		COVER, control	1	
	24P847	120V Models			24V061	ProContractor/IronMan series; <i>includes 32, 38, 63, 65, 68</i>		
	24P848	240V Models			24V062	Standard series; <i>includes 38, 63, 68</i>		
59▲		LABEL, warning	1	115	15C973	GASKET	1	
	16G596	Europe		131		SCREW/PLUG	2	
	16Y762	Asia/ANZ			119228	Eurpoe/Asia/Australia		
	16Y761	Japan			16T482	Japan		
60	16T541	JUMPER WIRE (Japanese models)	1	137		RETAINER, plug adapter		
63	16X796	LABEL, LCD, GMAX (ProContractor/IronMan series)	1	142	195551	695/795/1095/Mark IV/Mark V		
	16Y785	LABEL, control box cover, ultra (Standard series)	1		121249	Mark VII/Mark X Models		
65	16X797	LABEL, control box cover, ultra (ProContractor/IronMan series)	1			SWITCH/PLUG	1	
68	16Y789	LABEL, control (ProContractor/IronMan series)	1		16T483	695/795/1095/Mark IV/Mark V		
	16Y786	LABEL, control (Standard series)	1		126029	Mark VII/Mark X Models		
70	122507	SWITCH, reed (ProContractor/IronMan series)	1	143	120059	UK Mark V		
	16Z019	LIGHT, ProGuard (Standard series)	1	144	15G935	CONNECTOR, electrical	1	
73	100187	NUT	1		16T546	695/795/1095/Mark IV/Mark V		
75		CORD, power 695/795/1095, Japanese Models	1		16T547	695/795/1095 Japanese Models		
	15H064	Mark V, Japanese Models			16T544	Mark VII/Mark X Models		
	15D528	EU CEE 7/7			116171	Mark V, Japanese Models		
	15D529	EU Multicord		145	117745	BUSHING, strain relief (Mark VII/Mark X Models)	1	
	15D530	UK			147	24V030	KIT, repair, coil; <i>includes 150</i>	1
	16M834	Mark VII EU CEE 7/7		148		BOARD, filter	1	
	16M836	Mark VII Multicord			24R598	230V Models		
	15G957	Mark X EU CEE 7/7			24R597	120V Models		
					24U823	Mark X		
				149	117625	NUT, locking	1	
				150	16U215	SCREW, machine, flat head	1	
				177	16Y791	LABEL, blank, elec, std (Standard)	1	
					16Y790	ProContractor/IronMan	1	
					16Y788	Mark X ProContractor	1	

▲ *Upozorňující a výstražné štítky a označení jsou k dostání zdarma*

# Filtr

## Krouticí momenty

Ref.	Torque
	90-110 in-lb (10.1 - 12.4 N•m)
	35-45 ft-lb (47.4 - 61.0 N•m)
	190-210 in-lb (21.4 - 23.7 N•m)
	100-120 in-lb (11.2 - 13.5 N•m)
	38-42 ft-lb (51.5 - 56.9 N•m)
	15-25 in-lb (1.6 - 2.8 N•m)
	365-385 in-lb (41.2 - 43.5 N•m)



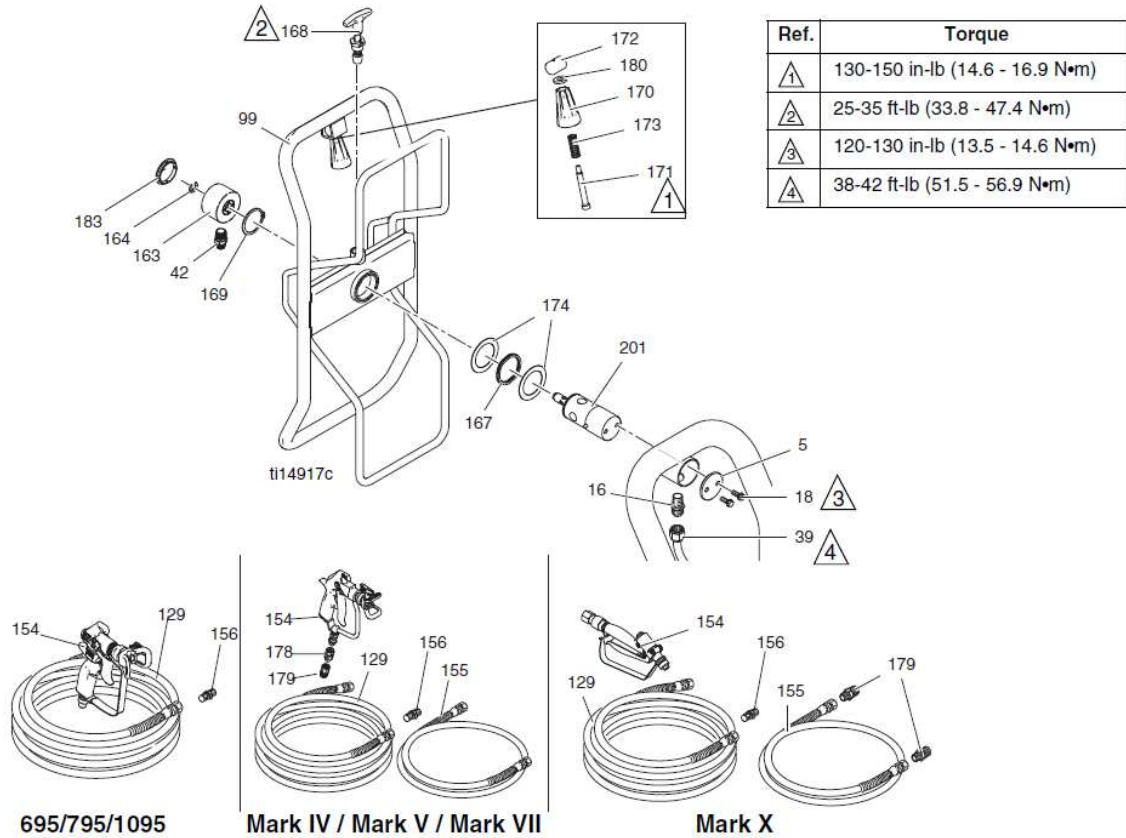
## Seznam dílů

Ref.	Díl	Popis	Počet	Ref.	Díl	Popis	Počet
9	117285	PACKING, o-ring	1	66	15C765	CAP, filter	1
13	16U013	SCREW, cap, socket head	3	67	16T543	BASE, filter	1
20	111457	PACKING, o-ring	1	74	15C766	TUBE, diffusion	1
21	15C972	PIN, grooved	1	80	24B156	VALVE, prime, HD	1
	116424	NUT, Mark X	1		287879	VALVE, prime, Mark X	1
39		TUBE, formed, ultra platinum	1	81		BASE, valve	1
	24V095	695/795 Models			24A382	Standard series	
	24J081	1095/Mark V Models			24D286	ProContractor/IronMan	
	16M441	Mark X			114708	Mark X	
40	121889	GROMMET, transducer	1	86	243222	TRANSDUCER, pressure control;	1
42		FITTING	1			<i>includes 20</i>	
	122533	1095/Mark V/Mark VII (ProContractor series)		92		FILTER, fluid	1
	125926	695/795/Mark IV/Mark X (ProContractor series)			244071	30 mesh	
	164672	695/795/1095 (Standard series)			244067	60 mesh, original equipment	
	196178	Mark IV/Mark V/Mark VII (Standard series)			244068	100 mesh	
		1095/Mark V (IronMan series)		114	104813	PLUG, pipe	1
	183285	Mark X (Standard series)		118	125926	FITTING, elbow	1
50		KIT, handle; <i>includes 21, 81</i>	1	172	193709	SEAT, valve	1
	24E233	ProContractor/IronMan Series		173	193710	SEAL, seat, valve	1
	24E234	Standard Series		174	245103	KIT, repair, valve, Mark X;	1
	15G563	Mark X				<i>includes 21, 50, 80, 81, 172, 173</i>	
				189	17A197	GUARD, base, filter (ProContractor/IronMan Series)	1



# Naviják hadice a pistole

## Krouticí momenty



## Seznam dílů

Ref.	Díl	Popis	Počet	Ref.	Díl	Popis	Počet
5	16C975	PLATE, Pivot Mount	1	156	191239	Mark VII/Mark X ADAPTER	1
16	121311	FITTING, Connector, NPT x JIC	1	162453	695/795/1095		
18	260212	SCREW, Hex Washer HD	2	196178	Mark IV/Mark V		
39		TUBE, Formed, Ultra, Platinum	1	158491	Mark VII/Mark X		
	24V095	695/795 Models		163	24B248	CAP, swivel, complete	1
	24J081	1095/Mark V Models		164	122347	RING, retaining, external	1
	16M441	Mark X		167	122534	SPRING, wave	1
42		ADAPTER	1	168	24E400	PIN, pop, lock out	1
	164672	695/795/1095		169	122524	RING, retaining, external	1
	196178	Mark IV/Mark V		170	278085	HANDLE, swivel	1
	159239	Mark VII/Mark X		171	122518	PIN	1
99	24B691	REEL, hose, ultra	1	172	15X618	NUT, pin	1
129		HOSE, coupled		173	122542	SPRING	1
	240794	695/795/1095	2	174	122607	WASHER, flat	2
	245225	Mark IV/Mark V	2	178	189018	SWIVEL	1
	278499	Mark VII/Mark X	2	179		BUSHING	
154		GUN, spray		159841	Mark IV/Mark V/Mark VII		1
	288420	695/795/1095	1	159239	Mark X		2
	241705	Mark V/Mark VII Models	1	180	122669	WASHER	1
	246468	Mark IV Models	1	183	122787	CAP	1
	245820	Mark X	1	201	24E016	TUBE, Hose Reel, Pivot	1
155		HOSE, whip	1				
	241735	Mark IV, Mark V					

## Standardní záruka Graco

Graco ručí za to, že všechna zařízení, vyráběná firmou Graco a nesoucí její název, nemají závady v materiálu a zpracování v den prodeje autorizovaným distributorem Graco pro užití původnímu kupujícímu. S výjimkou zvlášť prodloužené nebo omezené záruky, vydané Graco, opraví nebo vymění Graco v době 12 měsíců od data prodeje jakoukoli část zařízení, uznanou firmou Graco za vadnou. Tato záruka platí, jen když je zařízení instalováno, provozováno a udržováno v souladu s písemnými doporučeními Graco.

Tato záruka nepokrývá a firma Graco není zodpovědná za všeobecné opotřebením nebo jakékoli poruchy, poškození a opotřebením, zaviněné vadnou instalací, vadným používáním, oděrem, korozí, neadekvátní nebo špatnou údržbou, zanedbáním, nehodou, ucpáním nebo výměnou dílů za díly, které nejsou vyrobeny firmou Graco. Také nemůže být firma Graco zodpovědná za poruchy, škody a opotřebením, vzniklé nekompatibilitou zařízení Graco s konstrukcemi, příslušenstvím nebo materiálem, nedodávanými firmou Graco nebo špatnou projekcí, výrobou, instalací, provozem nebo údržbou konstrukcí, příslušenství, vybavením nebo materiálem, nedodaným firmou Graco.

Tato záruka je podmíněna vyplacením vrácením zařízení, reklamovaného jako vadné u autorizovaného distributora Graco, kvůli ověření reklamované vady. Je-li reklama ověřena, Graco opraví nebo vymění bezplatně jakoukoli vadnou část zařízení. Zařízení bude vráceno a přepraveno původnímu kupujícímu vyplaceně. Jestliže zkouška zařízení neprokáže žádnou závadu v materiálu nebo zpracování, oprava bude provedena za přiměřený poplatek, v němž jsou zahrnuty náklady za díly, laboratoř a přepravu.

**TATO ZÁRUKA JE VÝLUČNÁ NA MÍSTO JAKÝCHKOLI JINÝCH ZÁRUK, VYJÁDŘENÝCH NEBO PŘEDPOKLÁDANÝCH, ZAHHRNUJE, ALE NENÍ OMEZENA ZÁRUKOU PRODEJNOSTI NEBO ZPŮSOBILOSTÍ PRO ZVLÁŠTNÍ ÚČELY.**

Závazky firmy Graco a odstranění závady u kupujícího při porušení záruky se řídí jedině zásadami shora uvedenými. Kupující souhlasí s tím, že nemá nárok na další náhrady (zahrnující, ale neomezené na vedlejší nebo následné škody z ušlých zisků, prodejní ztráty, zranění osob nebo při poškození majetku nebo další vedlejší nebo následné ztráty). Každé uplatnění nároku musí být provedeno ve lhůtě do dvou (2) let od data prodeje.

**GRACO NEPOSKYTUJE ZÁRUKU A NEUZNÁVÁ PŘEDPOKLÁDANÉ ZÁRUKY PRODEJNOSTI A ZPŮSOBILOST PRO ZVLÁŠTNÍ ÚČELY V SOUVISLOSTI S PŘÍSLUŠENSTVÍM, VYBAVENÍM, MATERIÁLY NEBO KOMPONENTAMI PRODÁVANÝMI, ALE NEVYRÁBĚNÝMI FIRMOU GRACO.** Tyto díly, prodávané, ale nevyrobené firmou Graco jsou předmětem záruky, pokud nějakou mají, svých výrobců. Graco poskytne kupujícímu přiměřenou pomoc při uplatnění těchto záruk.

V žádném případě Graco nezodpovídá za nepřímé, náhodné, speciální nebo následné škody, vzniklé z dodaného zařízení Graco za těchto podmínek nebo z vybavení, výkonu nebo použití jakýchkoli výrobků nebo jiného zboží, i když je to v důsledku porušení smlouvy, záruky nebo nedbalostí Graco nebo dalších.

***K PROVEDENÍ OBJEDNÁVKY*** vstupte do kontaktu se svým distributorem Graco.

*Všechny napsané i vizuální údaje obsažené v tomto dokumentu odrážejí nejnovější informace v době vydání. Graco si vyhrazuje právo provádět kdykoli aktuální změny bez oznámení.*

[www.graco.com](http://www.graco.com)  
revize A – duben 2014